

Right-angle through hole type modular jack for PCB
MOD-J88DA12A+

RoHS

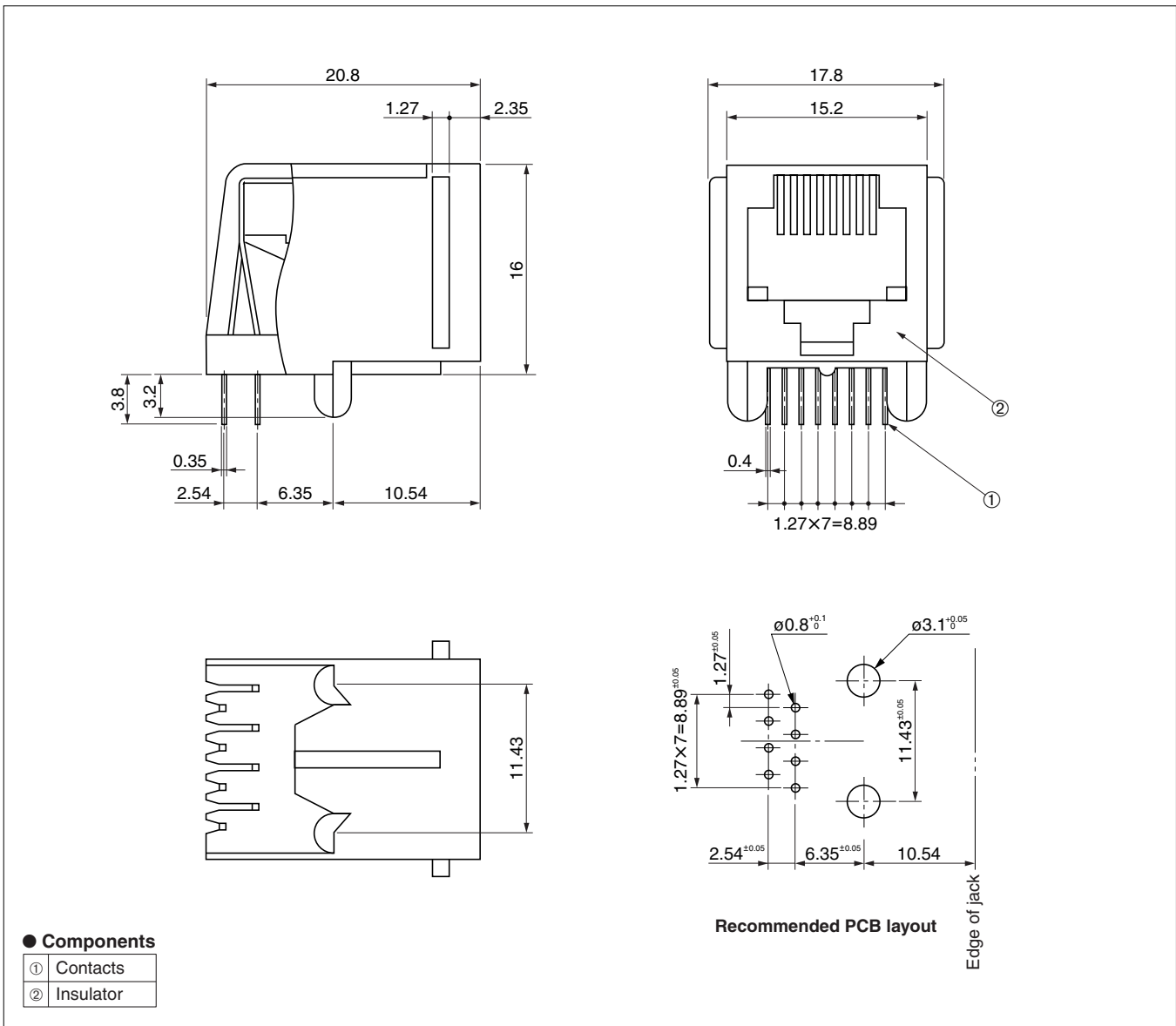


● Configuration of product Part No.

MOD- J88 DA 12 A+

① ② ③ ④

- ① Series name
- ② 8-8 Jack
- ③ Type of contact
Right-angle through hole type
- ④ Contact plating
Min. 1.27 μm Gold plate



● Components

①	Contacts
②	Insulator

Mating connectors: 8-8 modular plug